

## Eco Preparation 1800 mm Soaking Sink for Dishwasher with 2 Bowls - Left drain

ITEM # \_\_\_\_\_

MODEL # \_\_\_\_\_

NAME # \_\_\_\_\_

SIS # \_\_\_\_\_

AIA # \_\_\_\_\_


**132939 (EDBD1817L)**

 Sink Unit for Dishwasher with  
 2 bowls left hand drainer  
 500x500, 1800mm

### Short Form Specification

**Item No.** \_\_\_\_\_

Worktop in 304 AISI stainless steel with front edge h=40mm. Rear upstand h=100mm. N.2 bowls 500x500mm. Front and side covering panels in stainless steel. Rear panel in stainless steel. Square section legs 40x40mm in stainless steel with adjustable feet. An undercounter dishwasher can be placed under the drainer.

### Main Features

- Sturdiness, stability and reliability of table accurately tested.

### Construction

- Constructed entirely in stainless steel to offer maximum durability.
- Bottom part of drain left free to house an undercounter dishwasher.
- Wide range of taps are available to suit every need.
- Drainage area suitable for drying operations

### Optional Accessories

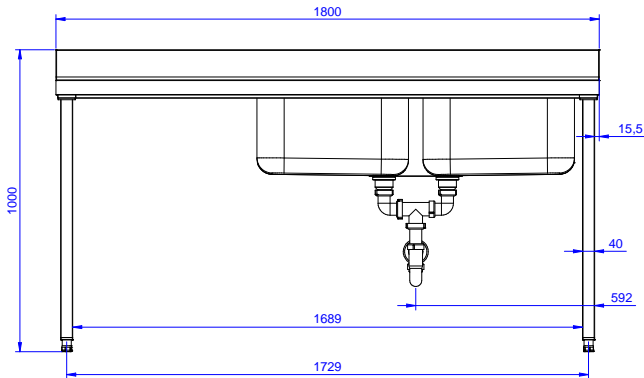
- Double plastic drain syphon 1,5" PNC 850021
- Lower shelf for 1200mm tables and sinks and for 1800 mm undercounter dishwasher sinks PNC 855145
- 3-sided underframe for 1200mm tables PNC 855152
- Wheel kit for cupboards, 4 wheels (2 with brakes), D=1000 mm PNC 855299
- Single plastic drain syphon 1,5" for work tables with bowl PNC 855306
- Elbow operated mixer tap with spout 3/4", single hole PNC 855322
- Elbow operated mixer tap with short spout 3/4", single hole PNC 855323
- Maxi reel retractable hose spray unit, 6m PNC 855327
- Foot operated mixer tap (hot and cold) with spout 3/4" PNC 855328

**APPROVAL:** \_\_\_\_\_

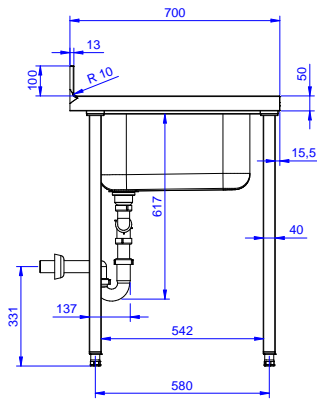
### Key Information:

<b>External dimensions, Width:</b>	1800 mm
<b>132939 (EDBD1817L)</b>	
<b>External dimensions, Depth:</b>	700 mm
<b>External dimensions, Height:</b>	900 mm
<b>Upstand Dimensions, Height:</b>	100 mm
<b>Upstand Dimensions, Depth:</b>	13 mm
<b>Upstand Dimensions, Radius:</b>	R=10
<b>Bowls number</b>	2
<b>Bowl dimensions</b>	500x500xH250
<b>Net weight:</b>	75 kg

Front



Side



D = Drain

Top

